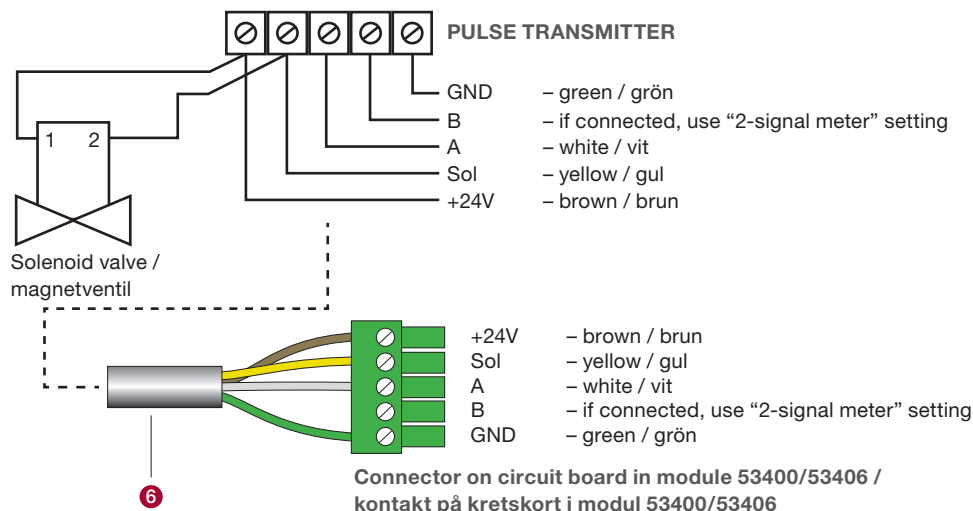


LUBE-MASTER METER MODULE GREASE

PART NO / ART.NR. 2168915



GENERAL

The Eurolube electronic meter is designed to dispense motor oils, gear oils, automatic transmission fluid and antifreeze. The transmitter mounted on the meter can be wired to batch controllers, remote counters and other electronically operated instruments that can accept pulses from a reed switch, and have scaling capabilities.

OPERATION

As fluid passes through the metering chamber by entering the inlet port, the internal gears rotate forcing the fluid to exit through the outlet port. Each rotation of the gear displaces a given volume of fluid. Controlled clearances between the gears and chamber wall insure minimum leakage. As the gears rotate, a magnet on each end of the gear causes the reed switch to open and close. Contact closures from the switch are transmitted to a remote batch controller or counter.

IMPORTANT!

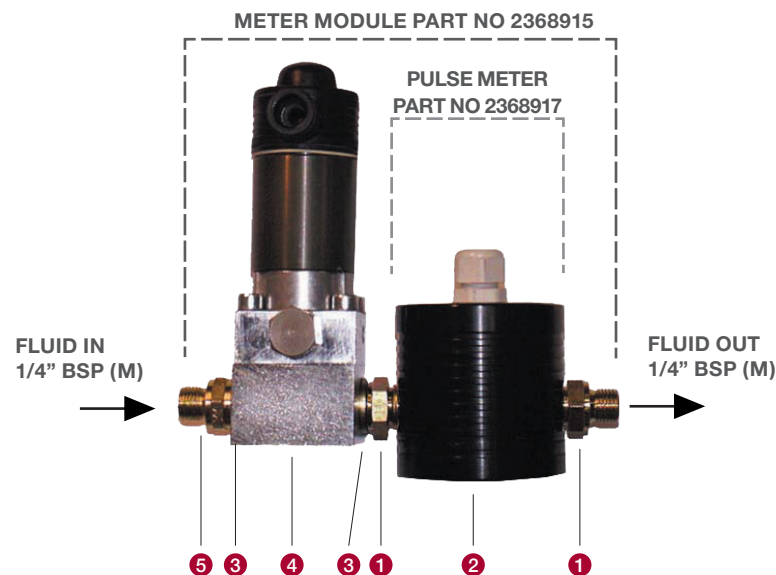
Applications: Grease up to NLGI 2.

This is a high precision instrument, contamination NOT allowed.
Installation: Make sure that the tubes are absolutely clean before installation.
After installation bleed the unit slowly.

VIKTIGT!

Användningsområden: Fett upp till NLGI 2.

Detta är ett precisionsinstrument, föroreningar får EJ förekomma. Installation: Återförsäkra att rörledningen är helt fri från föroreningar före installation. Avlufta enheten långsamt efter installationen.



NR	PART NO / ART.NR.	NAME / NAMN
1	2368916	Adapter 1/4" - 1/8" BSPT (M)
2	2368917	Pulse meter 1450 PPU/kg
3	1367264	1/4" Bonded seal / tätningbricka
4	2368792	Solenoid valve / magnetventil 24V DC
5	1367267	Adapter 1/4" - 1/4" BSP (M)
6	53393	Signal cable (not included) / signalkabel (ingår ej)

TECHNICAL DATA

Max pressure / max tryck	50 MPa (500bar)
Min/max temp.	0°C – +50°C
Min/max flow / min/max flöde	1kg/min
Accuracy / noggrannhet	+/- 3%

EUROLUBE EQUIPMENT AB, Stråsavägen 2, SE-711 76 Storå, Sweden

EMAIL eurolube@eurolube.com PHONE +46 581 836 65 FAX +46 581 409 75

www.eurolube.com