

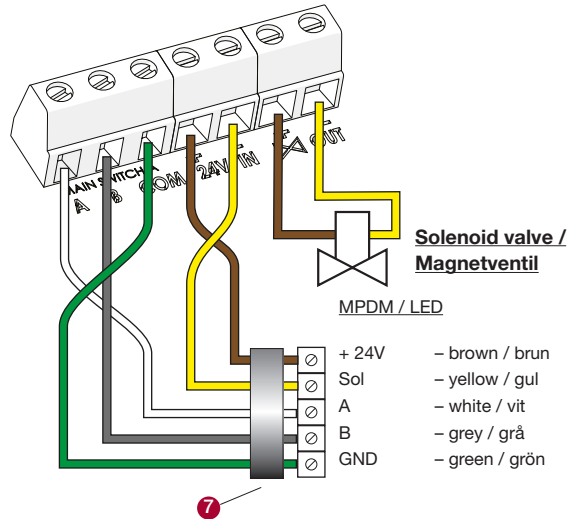
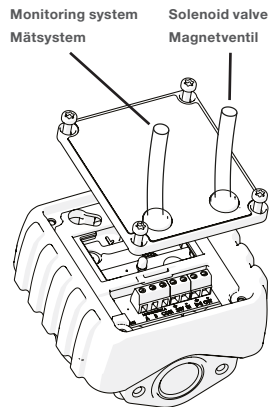
LUBE-MASTER METER MODULE OIL/ANTIFREEZE

PART NO / ART.NR. 1168475

2023.01



CONNECTION / ANSLUTNING



IMPORTANT!

This is a high precision instrument, contamination NOT allowed. A filter **MUST** be installed in-line before the meter module. Installation: Make sure that the tubes are absolutely clean before installation. After installation bleed the unit slowly.

VIKTIGT!

Detta är ett precisionsinstrument, föroreningar får EJ förekomma. Ett filter **MÅSTE** installeras före mätmodulen. Installation: Återförsäkra att rörledningen är helt fri från föroreningar före installation. Avlufta enheten långsamt efter installationen.

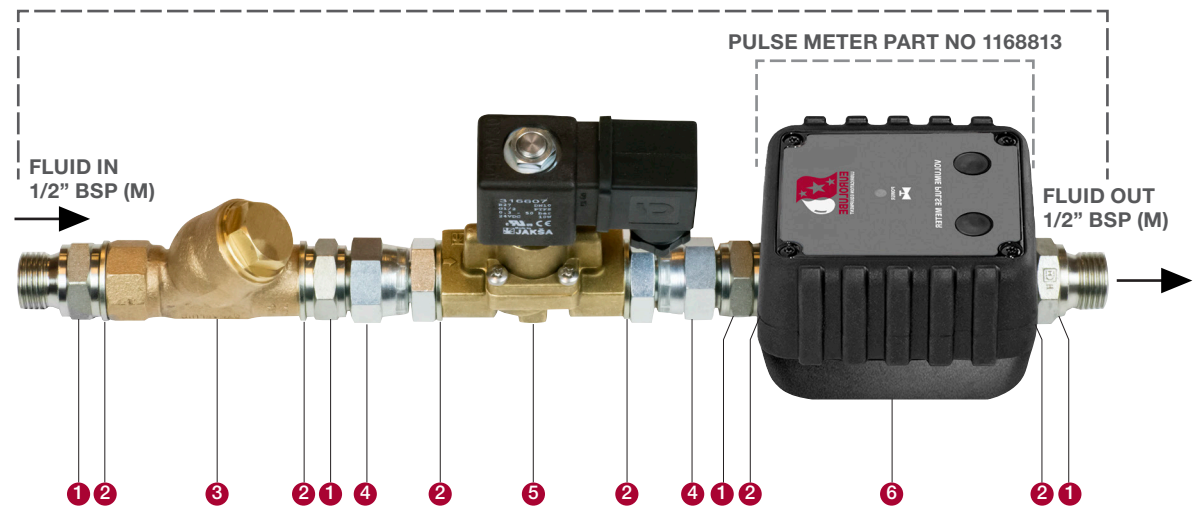
WARNING!

Whenever there is risk of thermal expansion in the system, ALWAYS install a pressure relief valve to the pump outlet in order to avoid damage to the pulse meter.

VARNING!

När det finns risk för termisk expansion i systemet, installera ALLTID en tryckbegränsningsventil vid utloppet på pumpen för att undvika skador på pulsmätaren.

METER MODULE PART NO 1168475



GENERAL

The Eurolube electronic meter is designed to dispense motor oils, gear oils, automatic transmission fluid and antifreeze. The transmitter mounted on the meter can be wired to batch controllers, remote counters and other electronically operated instruments that can accept pulses from a reed switch, and have scaling capabilities.

OPERATION

As fluid passes through the metering chamber by entering the inlet port, the internal gears rotate forcing the fluid to exit through the outlet port. Each rotation of the gear displaces a given volume of fluid. Controlled clearances between the gears and chamber wall insure minimum leakage. As the gears rotate, a magnet on each end of the gear causes the reed switch to open and close. Contact closures from the switch are transmitted to a remote batch controller or counter.



NR	PART NO / ART.NR.	NAME / NAMN
1	1317181	1/2" Adapter / adapter
2	1367347	1/2" Bonded seal / tättningsbricka
3	28022	Strainer / filter
4	1368569	1/2" Swivel adapter / adapter
5	1168574	Solenoid valve / magnetventil 24VDC
6	1168813	Pulse transmitter 328PPU / pulsmätare 328PPL
7	53393	Signal cable (not included) / signalkabel (ingår ej)

TECHNICAL DATA	
Max pressure / max tryck	5 MPa (50bar)
Min/max temp.	0°C – +50°C
Min/max flow / min/max flöde	1 – 20 l/min
Accuracy / noggrannhet	+/- 0,5%

EUROLUBE EQUIPMENT by Alentec & Orion AB, Grustagsvägen 4, SE-138 40 Älta, Sweden

EMAIL eurolube@alentec.se PHONE +46 (0)8-747 67 10 FAX +46 (0)8-715 20 74

www.eurolube.com